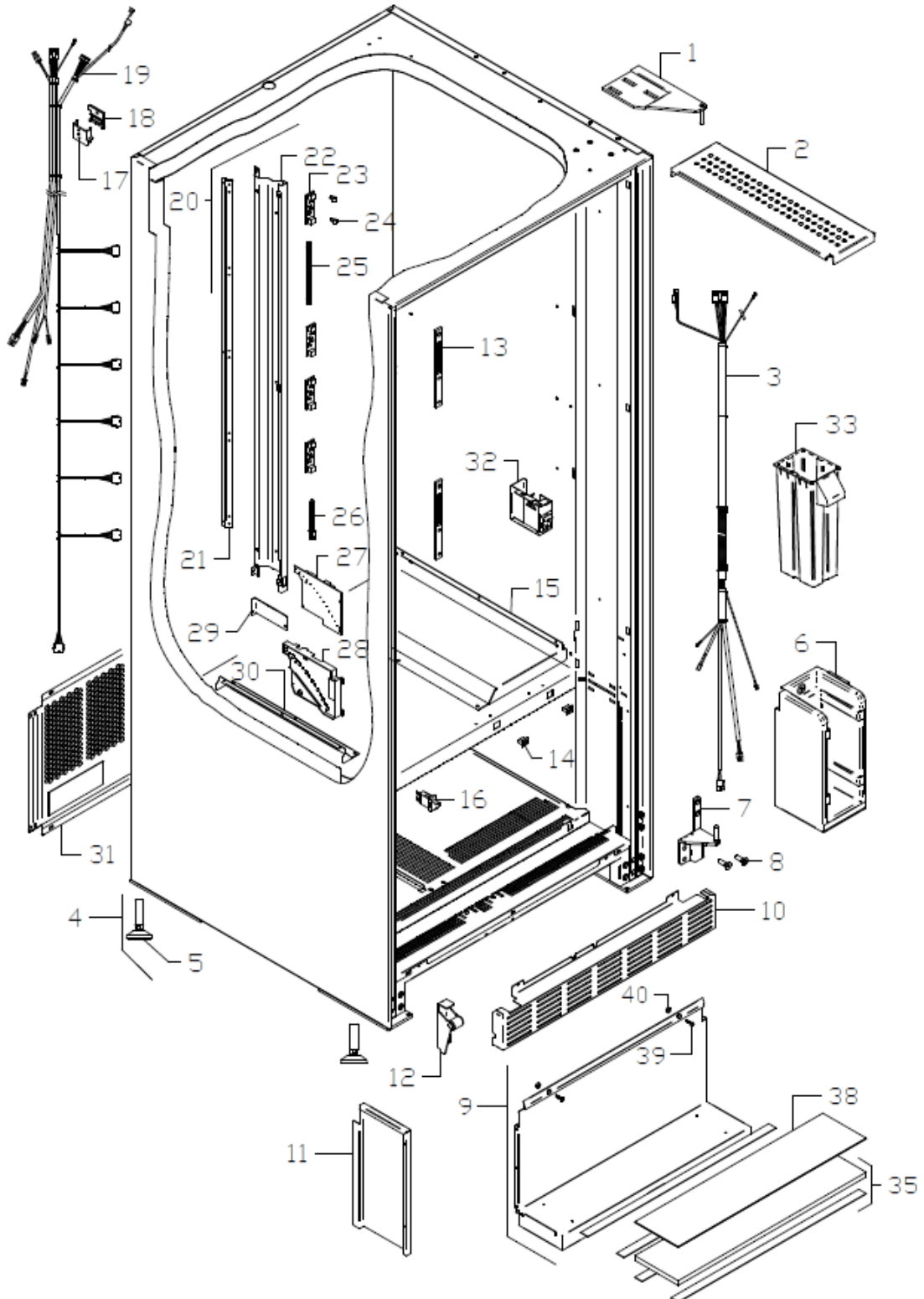


- 1. 981735T-CASSONE - CAJÓN**
- 2. 981735T-GRUPPO\_CASSETTO - BANDEJA**
- 3. 981735T-PORTA - PUERTA**
- 4. 981735T-PANNELLO\_ELETTRICO - PANEL ELECTRICO**
- 5. 981735T-GRUPPO\_FRIGO - GRUPO FRIO**
- 6. 981735T-PANNELLO\_FRONTALE - FRONT PANEL**
- 7. 981735T-MONTAGGIO\_SPONDA - SIDE PANEL**
- 8. 981735T-ACCESSORI\_CASSETTO - ACCESORIOS BANDEJA**
- 9. 981735T-ACCESSORI - ACCESORIOS**

# 981735T-CASSONE - CAJÓN

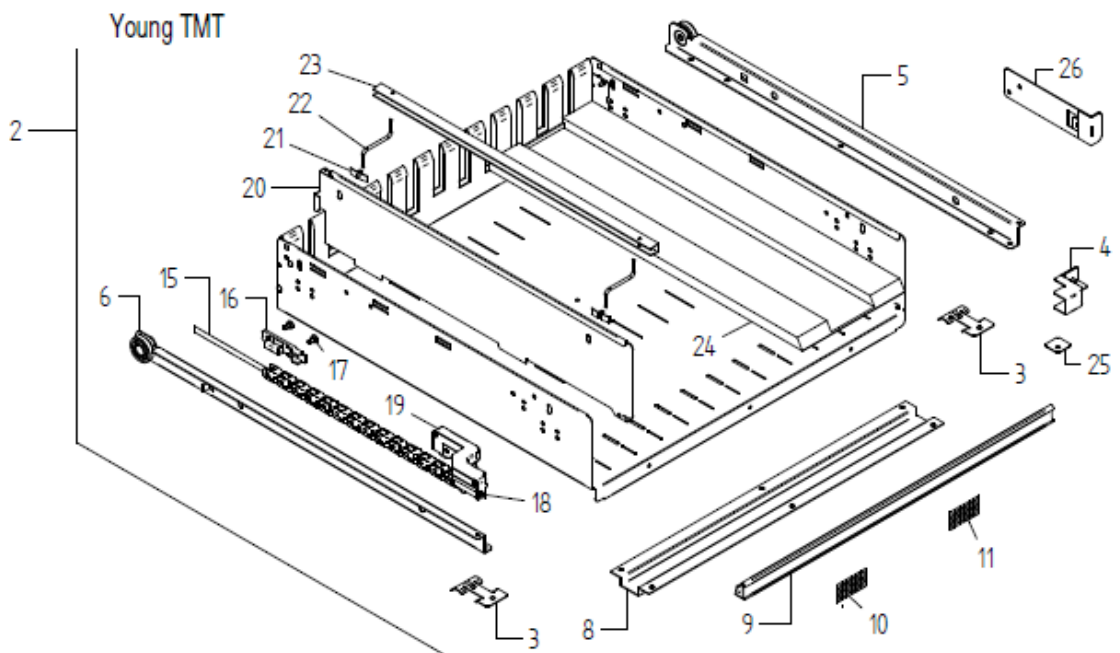
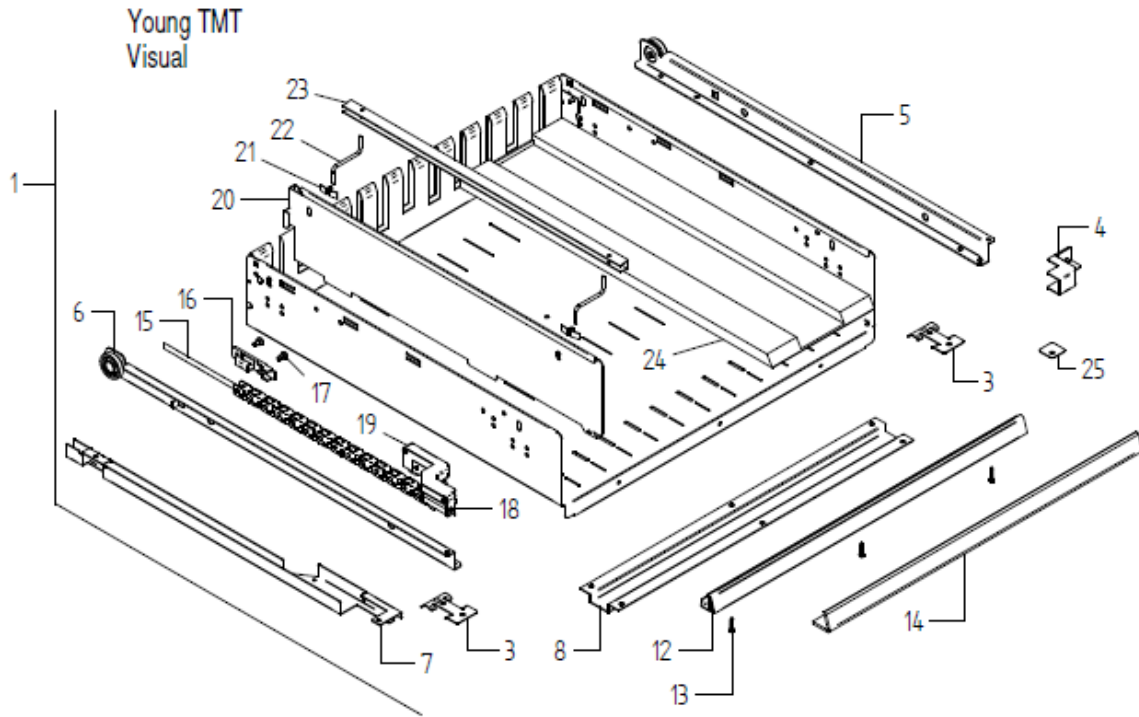


***PARTS LIST***

Pos.	Code	Description	Suggested	Price
0001	720545NN	DOOR UPPER HINGE		
0002	401236	PRODUCTS SHELF		
0003	310733	COLUMN HARNESS YOUNG 750 DOOR		
0004	820437	COMPLETE FOOT WITH ANTISLIP BASE		
0005	400908	BASE ANTISLIPPING FOOT		
0006	750247	COINS BOX POCKET ASSEMBLY FASTER MSP		
0007	720544NN	DOOR ANTITHEFT LOWER HINGE		
0008	201124	SCTREW M6X20 GALV. UNI5933		
0009	820679	REFRIG. UNIT+VELCRO DIVIDER YOUNG TM GCD		
0010	855420	LEG COVER 750 RAL7021		
0011	627705AA	LEFT COVER AA FASTER TM		
0012	720488	DOOR SLIDEBRACKET		
0013	621555ZI	EXTERNAL LOCK BLADE		
0014	210059	RECEPTACLE		
0015	621968	SUCTION CONVEYOR VM 6 SELECTIONS		
0016	310047	NO MICROSWITCH ARCOLECTRIC C3006CB-FUSIT	✓	
0017	401140	COVER FOR FEMALE CONNECTOR HOLDER		
0018	401139	FEMALE CONNECTOR HOLDER		
0019	310732	LEFT WIRING FAST (7S+D)		
0020	820697	LEFT LEDS COVER+ROD FASTER		
0021	621487	LED HOLDER ROD		
0022	622067	LEFT LED COVER FASTER		
0023	082782	BOARD WITH LED ASSEMBLY	✓	
0024	210289	PLASTIC RIVET RICHCO SR-3045-B RMS-52		
0025	310383	LED BAR CONNECTION LOOM		

Pos.	Code	Description	Suggested	Price
0026	310384	BOND FOR LED BOARDS		
0027	082651	REFLECTION PHOTOCELLS EL. BOARD EVO		
0028	401131	PHOTOCELLS COVER		
0029	622068	DOWN LEFT LED COVER FASTER		
0030	621837	DELIVERY SIDE CONVEYOR EASY CLICK		
0031	621119	REAR GRID 750		
0032	845323	SWITCH BOX S&F ASSEMBLY		
0033	401150	PLASTIC COIN BOX		
0035	820680	MAT + VELCRO DIVIDER ASSEMBLY YOUNG TM		
0038	401593	LEXAN PROT. SERIGRAFATO TASCA YOUNG TM		
0039	210068	PIN		
0040	210069	RUBBER SHIM		

# 981735T-GRUPPO\_CASSETTO - BANDEJA

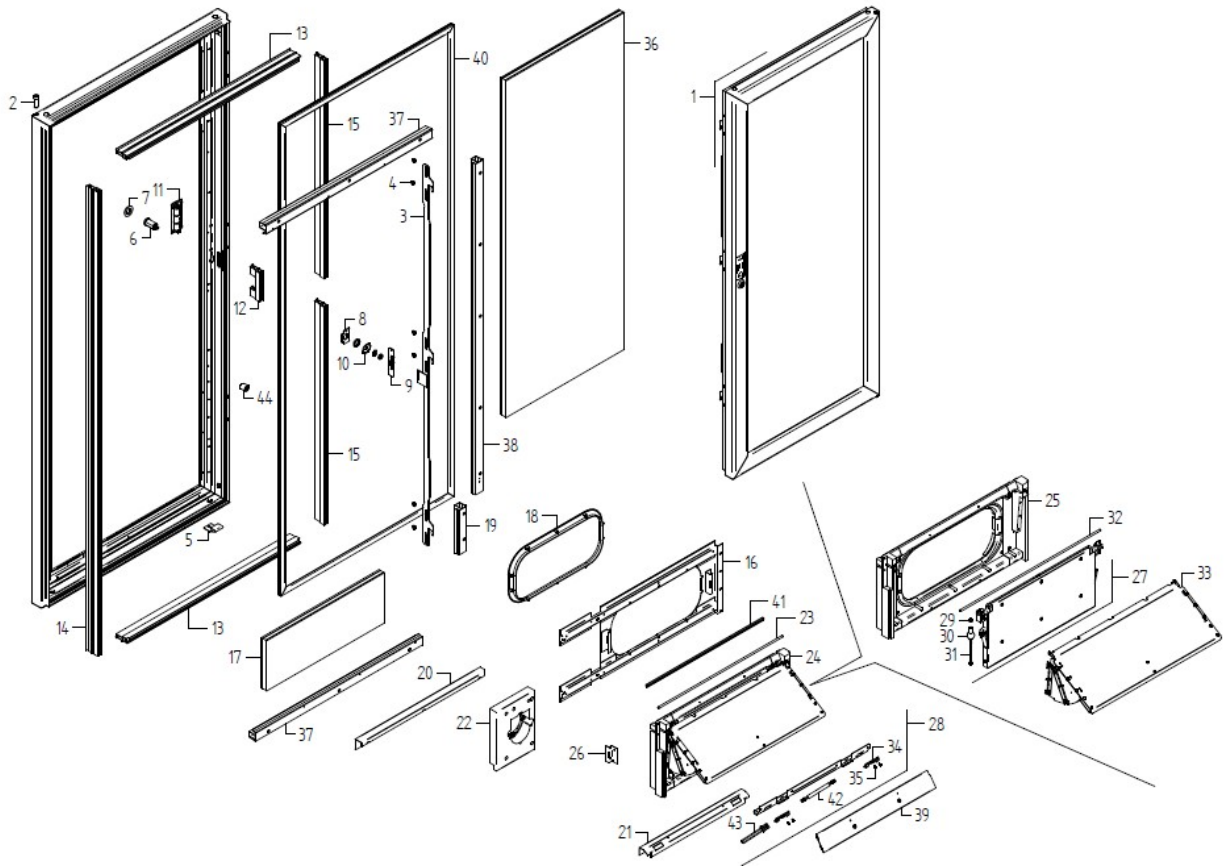


***PARTS LIST***

Pos.	Code	Description	Suggested	Price
0001	801149	REINFORCED DOWN SHELF+DISPLAY YOUNG		
0001	801145	REINFORSED SHELF S WITH DISPLAY ASS.		
0001	801147	REINF. SHELF S +DISPLAY+PROTECTION ASS.		
0001	801146	SHELF S WITH DISPLAY ASSEMBLY		
0002	801141	REINFORCED SHELF S ASSEMBLY		
0002	801148	REINFORCED DOWN SHELF YOUNG		
0002	801143	SHELF S ASSEMBLY		
0003	630481	TRAY STOPPING SPRING		
0004	750223	EASY CLICK SHELF LOCK ASSEMBLY		
0005	830142NN	RIGHT SLIDING GUIDE		
0006	830143NN	LEFT SLIDING GUIDE		
0007	631314	FAIRLEADS GUIDE FOR DISPLAY SHELF FAST		
0008	627970	UNDER SHELF REINFORCEMENT PREPAINTED (S)		
0009	401556	PRICES HOLDER ABS (S) L=443 CLIP		
0010	220064	PRICES SILKSCREEN BOTH SIDES		
0010	220157	SELECTION INDICATOR PANEL (11-70)		
0010	220165	PRICE LABELS SHEET		
0011	220841	PRICE LABELS SHEET EUR/POUNDS		
0011	220201	NUMBER LABELS (2-3-4-5)		
0012	801118	SHELF DISPLAY S ASSEMBLY		
0013	200015	TPS CROSS 2,9X9,5 ISO7050C GALV SCREW		
0013	200011	TPS CROSS 2,9X16 ISO7049C GALV SCREW		
0014	401517	S TRAY DISPLAY PROTECTIVE COVERING		
0015	750283	ASSIEME CAB. CASSETTO A CATENA 6 S 2021		
0016	401141	HOOK FOR HARNESS WIRING		
0017	210287	PLASTIC RIVET RICHCO SR-4060-BK		

Pos.	Code	Description	Suggested	Price
0018	401137	SHELVES HARNESS COVER		
0019	401138	CHAIN HOLDER COVER		
0020	630779NN	DIVIDER (BLACK)		
0021	211028	SPRING FOR DIVIDER SUPPORT PIN		
0022	211002	PIN FOR SPRING ADJUSTABLE		
0023	400594	ADJUSTABLE SIDE PLATE-BLACK L=398		
0024	400838	SPIRAL SUPPORT BLACK		
0025	628120	SPACER FOR SHELVES STOPPER SPRING		
0026	831074	SHELF TAKE OUT HANDLE ASSEMBLY		

# 981735T-PORTA - PUERTA





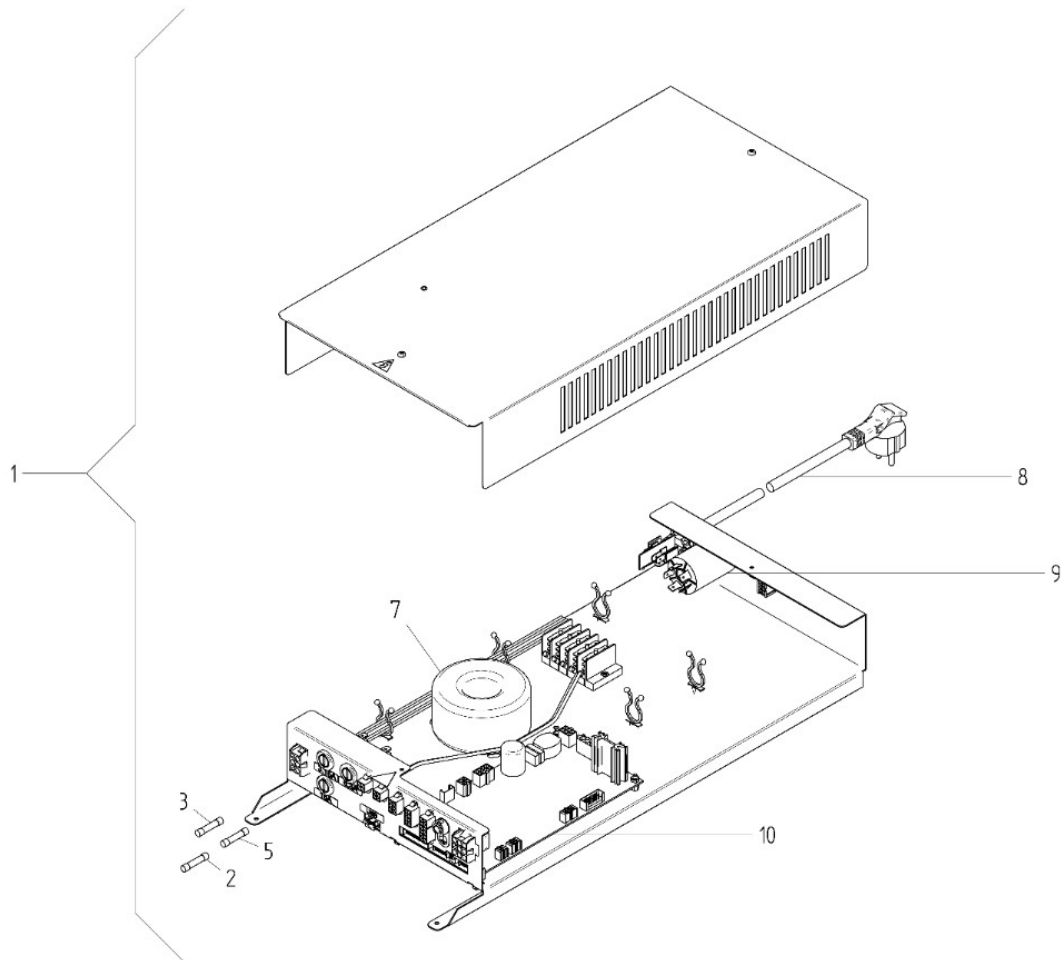
***PARTS LIST***

Pos.	Code	Description	Suggested	Price
0001	827212	DOOR FRAME YOUNG 1830 ASSEMBLY		
0002	700435	BUSH FOR DOOR ROTATION		
0003	726499	DOOR CLOSING ANTI-THEFT BAR		
0004	700434	BUSH FOR CLOSING ROD SLIDING		
0005	631085	DOOR WHEEL RAISER		
0006	210363	BLOCK LOCK RIELDA MOD. 511 RS1+KEY	✓	
0007	700505	LOCK PROTECTION WASHER		
0008	627725	ANTIROTATION LOCK INCREASED		
0009	726286ZI	120° LOCK RACK		
0010	624672	120° LOCK FRAME		
0011	401134	DOOR HANDLE		
0012	401104	RIGHT GASKET HOLDER		
0013	400882	HORIZONTAL GASKET DOOR PROFILE (L=700)		
0014	400867	LEFT GASKET PROFILE (L=1620)		
0015	400841	LOWER RIGHT GASKET PROFILE (L=760)		
0016	726762NG	HORIZONTAL UPRIGHT YOUNG TM NG ASS.		
0017	420097	VIDRIO 3+3+12+4 YOUNG TM		
0018	401474TG	DELIVERY DOOR FRAME TM		
0019	401472	SHORT VERTICAL GLASS HOLDER TM		
0020	628116AA	DEL.POCKET METAL PLATE COVER YOUNG TM AA		
0021	628118NN	DOWN LEDS COVER YOUNG TM NN		
0022	400928	COIN RETURN SUPPORT		
0023	700615	PROTECTION PIN YOUNG TM REINFORCED		
0024	827255	DELIVERY DOOR GROUP ASS.YOUNG TM MSP		
0025	827256	DELIVERY DOOR SUPPORT ASS.YOUNG TM		

Pos.	Code	Description	Suggested	Price
0026	627831	DELIVERY DOOR PIN STOPPER FASTER TM		
0027	827257	DELIVERY DOOR ASSEMBLY YOUNG TM GCD		
0028	827259	DOWN BAR LEDS ASSEMBLY YOUNG TM		
0029	201034	TCCR M5X65 GALV UNI7048 SCREW		
0030	400917	DELIVERY DOOR MOVEMENT WHEEL		
0031	203014	M5 EXH. SEL-BLOCKING GALV DICE UNI7474		
0032	700592	DELIVERY DOOR PIN YOUNG		
0033	726761	ANTI-THEFT PROTECTION YOUNG TM MSP REINF		
0034	082782	BOARD WITH LED ASSEMBLY	✓	
0035	210289	PLASTIC RIVET RICHCO SR-3045-B RMS-52		
0036	420092	VIDRIO 3+3/12/4BE ARGON 1176X476X22		
0037	401107	HORIZONTAL GLASS STOPPER DOOR 750		
0038	401101	RIGHT GLASS HOLDER		
0039	627978NN	PRODUCTS BAFFLE PLATE PAINTED YOUNG		
0040	221056	MAGNETIC GASKET 1638X688 I.M.11,6X3		
0041	108021	PVC SECTION WIDTH 3MM		
0042	310669	LED FAS BARS EXPANSION INTERFACE (450)		
0043	310384	BOND FOR LED BOARDS		
0044	400961	PVC SOFT FOOT TH. 18 EXT.D. 18,5		

# 981735T-PANNELLO\_ELETTRICO - PANEL ELECTRICO

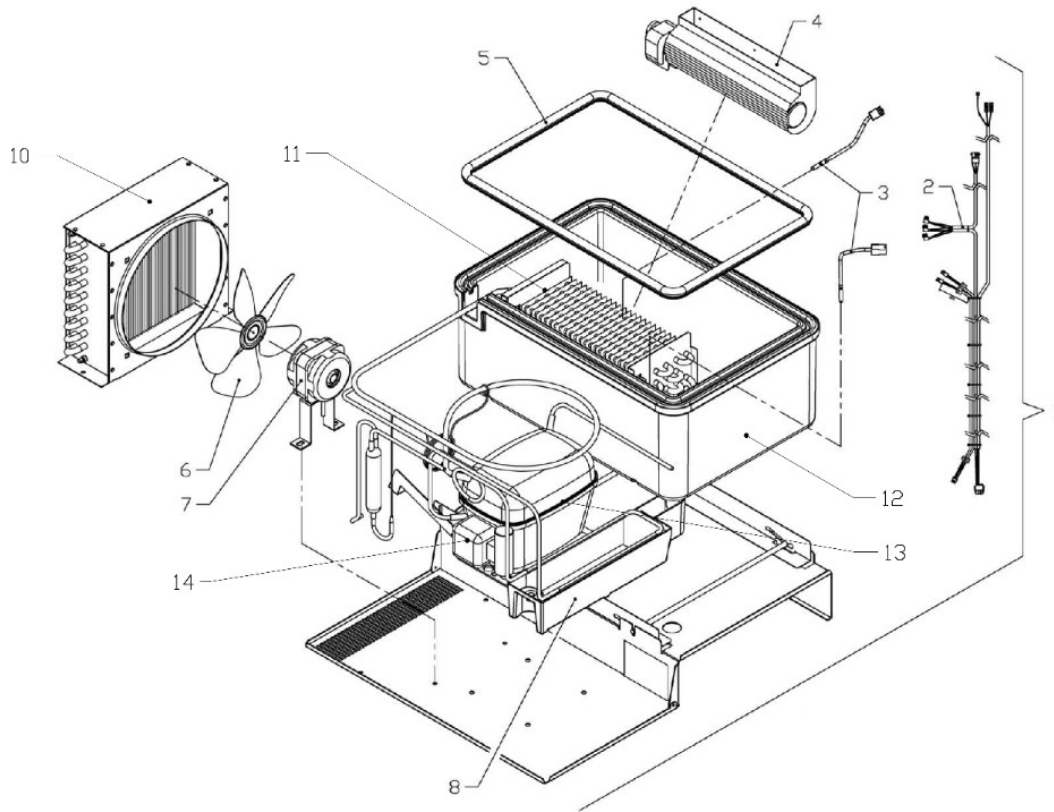
---



***PARTS LIST***

Pos.	Code	Description	Suggested	Price
0001	845320	ELECTRIC PANEL SPIRALS ECO ASSEMBLY		
0002	300425	DELAYED 6,3X32 16 A FUSE	✓	
0003	300410	WEBER 6X30 3,15 A FUSE	✓	
0005	300415	WEBER 6,3X32 6,3 A FUSE	✓	
0007	310183	TRANSFORMER 150VA 0-230V 50/60HZ TOROID.	✓	
0008	300133	STANDARD POWER SUPPLY LOOM		
0009	C300066	NET FILTER	✓	
0010	082637	SPIRAL POWER BOARD LT		

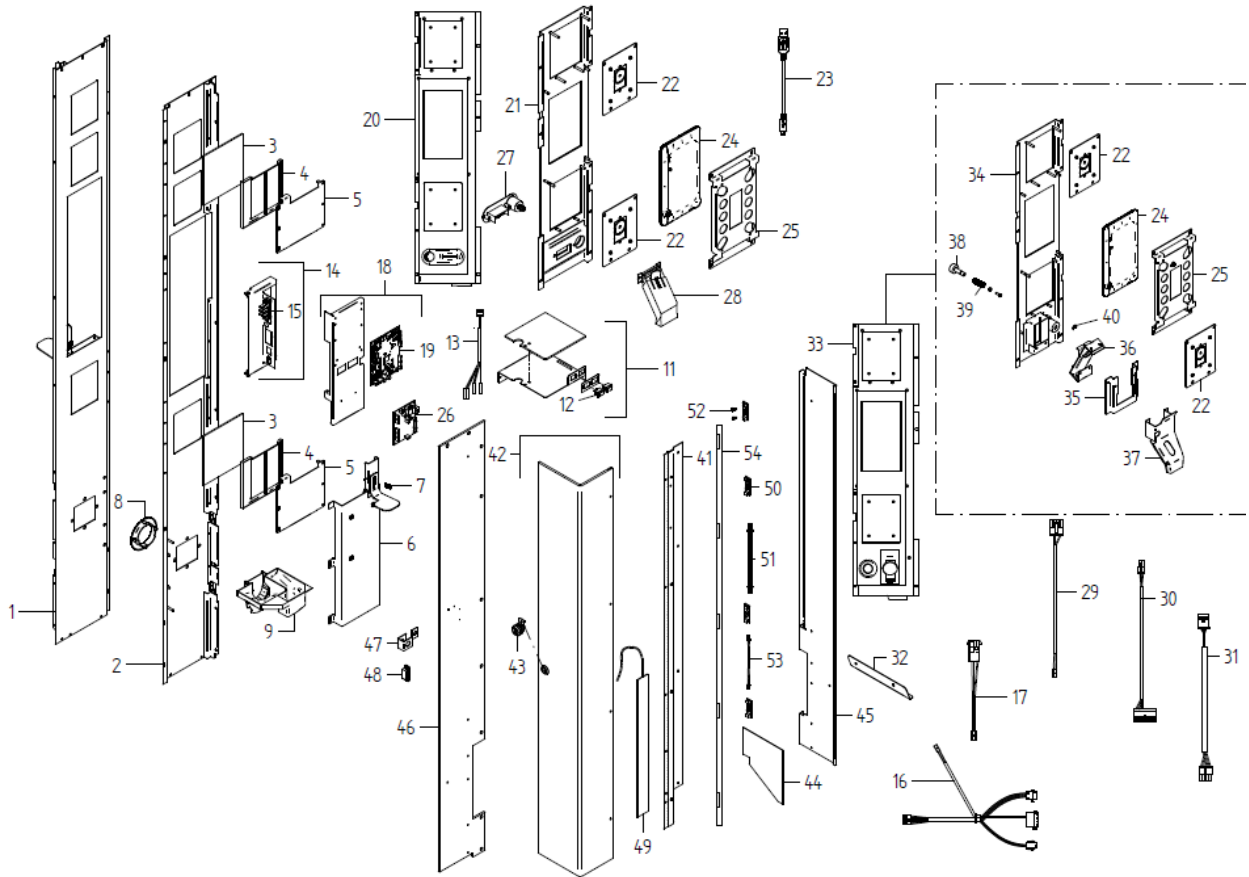
# 981735T-GRUPPO\_FRIGO - GRUPO FRIO



***PARTS LIST***

Pos.	Code	Description	Suggested	Price
0001	840222	REFRIGERATION UNIT	✓	
0002	310323	TANGENTIAL FAN HARNESS		
0003	310455	TEMPERATURE PROBE	✓	
0004	410109	TANG.TGA 60/1 300/30 V230 50/60HZ 180°	✓	
0005	221112	EVAPORATOR BOX GASKET L=1570		
0006	410371	230MM FAN		
0007	410106	MOTORFAN WITH THERMAL PROTECTION	✓	
0008	400840	CONDENSATE DRAIN PAN		
0010	410053	CONDENSATOR 1022 20T 250X240X43,3		
0011	410094	EVAPORATOR 1T		
0012	740092	PLYSTYRENE EVAPORATOR BOX ASSEMBLIY		
0013	410124	EMBRACO COMPRESSOR NEK6187Z		
0014, 0014	845328	COMPRESSOR ELECTRIC GROUP 410124		

# 981735T-PANNELLO\_FRONTALE - FRONT PANEL



***PARTS LIST***

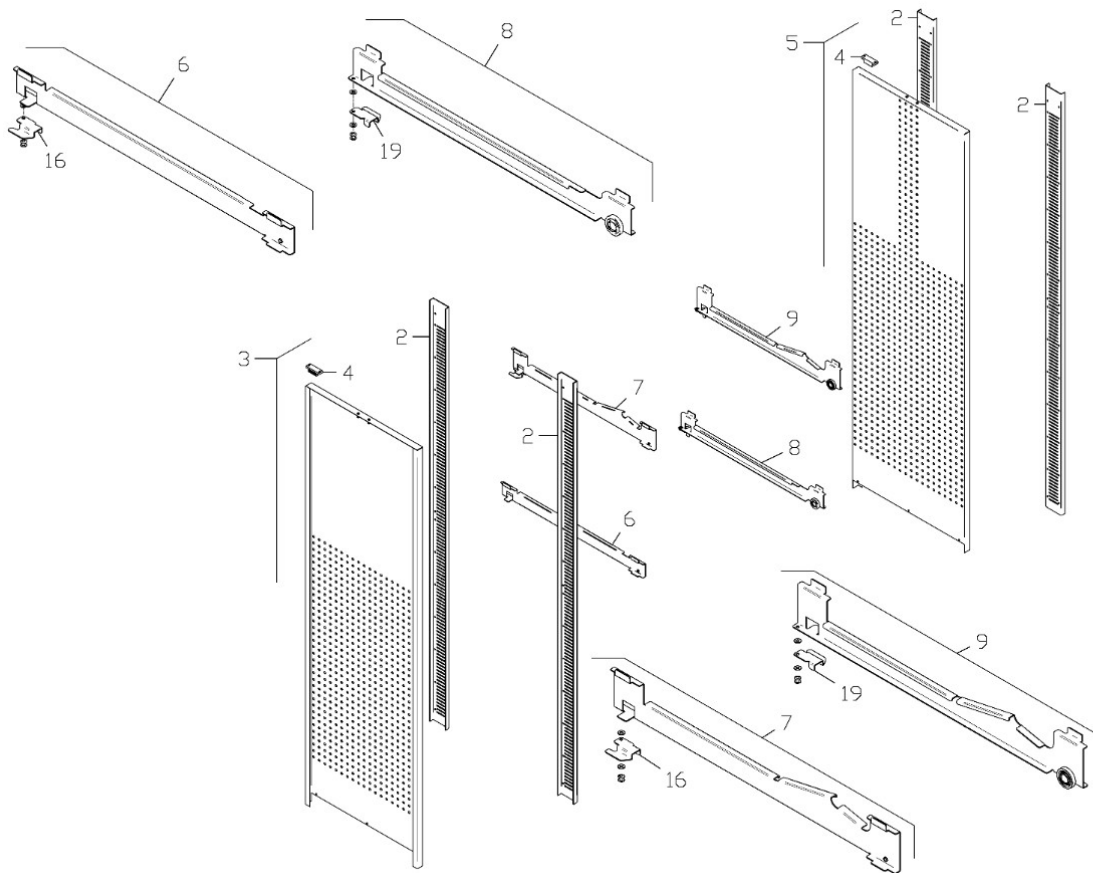
Pos.	Code	Description	Suggested	Price
0001	827120	FRONT FANEL FASTER TM GCD NG ASSEMBLY		
0002	726698NG	FRONT PANEL MSP NG ASSEMBLY		
0003	400972	POCKET GLASS		
0004	400971	LABEL POCKET		
0005	627863	POCKET GLASS METAL LOCK TM		
0006	827047	COIN MECHANISM SUPPORT TM ASSEMBLY		
0007	211063	SPRING 0.8X9XL	✓	
0008	401523TG	COINS RETURN FRAME TM TG STANDARD		
0009	826751	REINFORCED CHANGE-GIVER BODY		
0011	750246	COVER+PROGR. BUTTONS FASTER MSP		
0012	400941	PROGRAMMING PUSHBUTTONS		
0013	310608	PROG. BUTTONS HARNESS FASTER GCD		
0014	827169	CONNECTORS SUPPORT ASSEMBLY FASTER TM		
0015	082720	24VOLT POWER DISTRIBUTION PCB		
0016	310693	PAYMENT SYST. INTERFACE WITH EL.B.082670		
0017	310580	BOX RESISTANCE HARNESS FASTER GCD		
0018	827048	ELECTRONIC BOARDS SUPPORT TM		
0019	082670	GCD MAIN BOARD	✓	
0020	827119	STANDARD COIN INSERT FASTER TMT MSP ASS.		
0021	726670NG	COINS INSERT STANDARD ASS. S&F TMT NG		
0022	726278NG	BILL READER CLOSING PLATE NG FAST/R		
0023	310789	CABLE (OTG) USB A - MICRO B M/M 700M		
0024	310708CO	TABLET 7 P. HANNSPREE MID721+SW		
0025	627932	REAR METAL PLATE TABLET 7 HANNSP. MID721		



Pos.	Code	Description	Suggested	Price
0026	082938	TABLET INTERFACE ELECTRONIC BOARD		
0027	826922	COINS RETURN BUTTON ASSEMBLY RAL7004 TG		
0028	826494	COIN CHUTE		
0029	310666	CABLE FROM EL.B.082938 TO MAIN 082670(TM		
0030	310694	MAIN PROG. CABLE R32 DA 082938		
0031	310692	POWER SUPPLY CABLE EL. B.082938 FASTER T		
0032	628015	ANTI THEFT METAL PLATE F. MSP		
0033	827118	COINS INSERT ASSEMBLY TM MSP TOUCH ARM.		
0034	726666NG	COINS INSERT ARMORED ASS. S&F TMT NG		
0035	627776	ARMORED COINS SHUTE SUPPORT FASTER TM		
0036	726299	ARMORED COINS LOADER ASSEMBLY	✓	
0037	726452	ARMORED INSERT COINS SHUTE FASTER UP		
0038	700354	COINS RETURN PUSH-BUTTON		
0039	211040	COIN RECOVER BUTTON SPRING		
0040	205001	RING RS 6 UNI7434		
0041	726263	BOX DOOR SUPPORT		
0042	827133	DOOR BOX FASTER TM ASSEMBLY		
0043	210320	BLOCK LOCK WITH CAM		
0044	220937	PHOTOCELLS REFLECTOR LABEL		
0045	628014	LEDS SUPPORT FOR F. DOOR MSP		
0046	401578	PAYMENT SYSTEMS BOX BODY MSP		
0047	624567	COUPLER BOX LOCK		
0048	15100041A	MAGNETIC BLACK CLOSING		
0049	300989	FLAT RESISTOR 15W 24V PHOTOCELL		
0050	082782	BOARD WITH LED ASSEMBLY	✓	
0051	310383	LED BAR CONNECTION LOOM		

Pos.	Code	Description	Suggested	Price
0052	210289	PLASTIC RIVET RICHCO SR-3045-B RMS-52		
0053	310670	DOWN LED CONN. INTERFACE FAS TM DOOR		
0054	621492	DOOR LED COVER		

# 981735T-MONTAGGIO\_SPONDA - SIDE PANEL

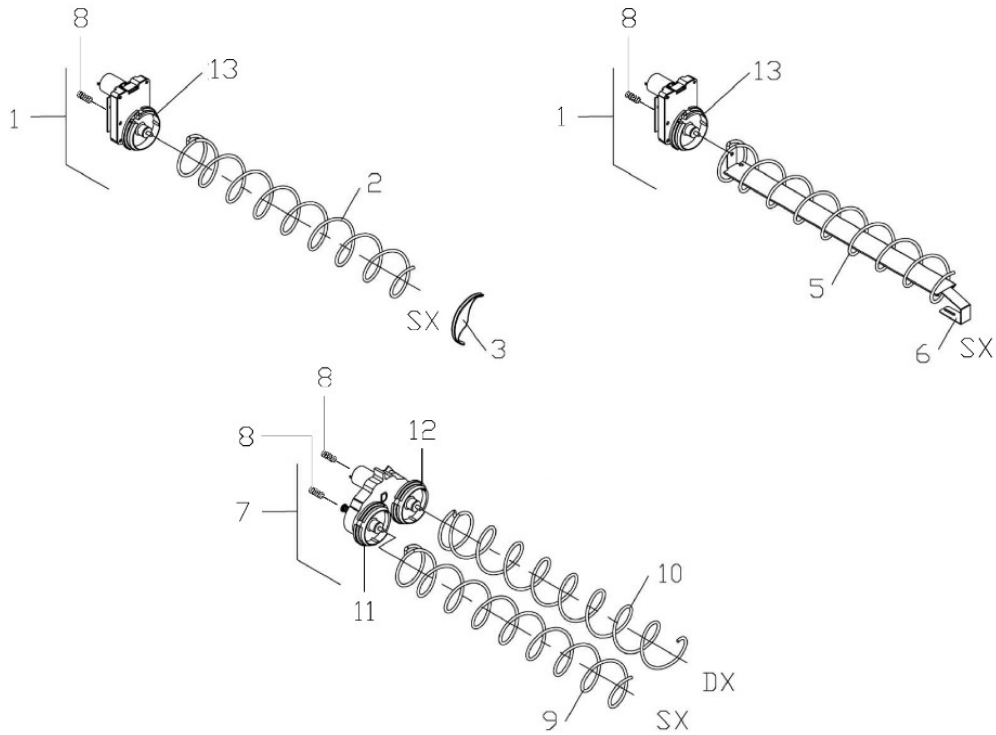


***PARTS LIST***

<b>Pos.</b>	<b>Code</b>	<b>Description</b>	<b>Suggested</b>	<b>Price</b>
0002	621834	EASY CLICK GUIDES UPRIGHT		
0003	820589	LEFT SIDE PANEL FAST/FASTER 2T EASY CL.		
0004	15100041A	MAGNETIC BLACK CLOSING		
0005	820590	RIGHT SIDE PANEL FAST/FASTER 2T EASY CL.		
0006	831020	LEFT STRAIGHT GUIDE+LOCKING EASY CLICK		
0007	831016	LEFT SLANTING GUIDE+LOCK EASY CLICK		
0008	831022	RIGHT STRAIGHT GUIDE+LOCKING EASY CLICK		
0009	831018	RIGHT SLANTING GUIDE+LOCK EASY CLICK		
0016	621846	LEVER LOCK GUIDE LEFT EASY CLICK		
0019	621847	LEVER LOCK GUIDE RIGHT EASY CLICK		

# 981735T-ACCESSORI\_CASSETTO - ACCESORIOS BANDEJA

---



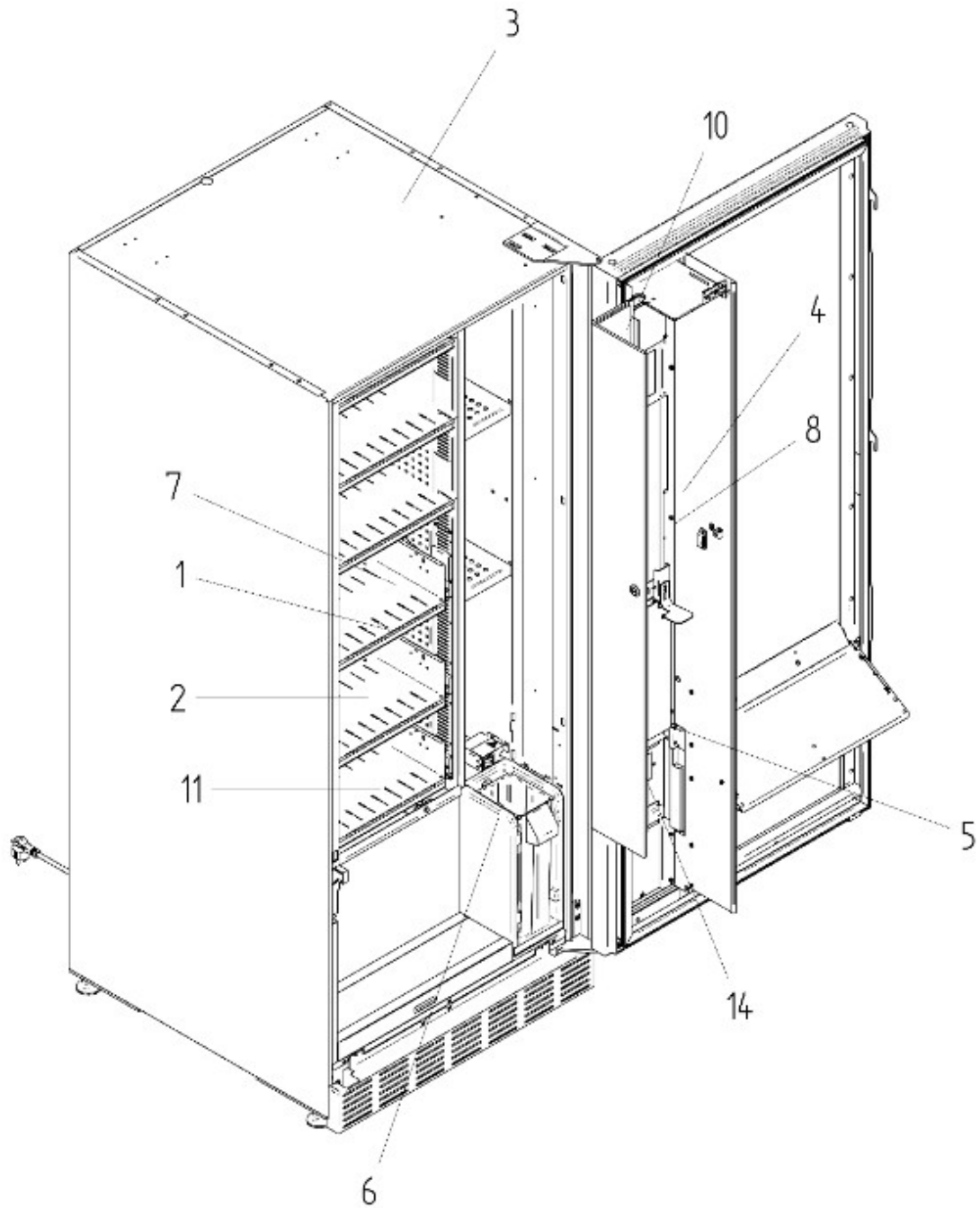
**PARTS LIST**

Pos.	Code	Description	Suggested	Price
0001	830420	MOTOR GROUP/BLUE HOOK	✓	
0002	211286	SPIRAL GALV. P=35 Ø=78 12 PR. LEFT		
0002	211291	SPIRAL GALV. P=78 Ø=78 5 PR. LEFT		
0002	211290	SPIRAL GALV. P=55 Ø=78 7 PR. LEFT		
0002	211273	SPIRAL GALV. P=45 Ø=78 9 PR. LEFT		
0003	400800	BLACK SPIRAL EJECTOR		
0005	211271	SPIRAL GALV. P=80 Ø=70 5 BOT. LEFT		
0005	211272	SPIRAL GALV. P=64 Ø=66 7 PR. LEFT		
0005	211270	SPIRAL GALV. P=88 Ø=78 5 SANDW. LEFT		
0005	211269	SPIRAL GALV. P=75 Ø=70 6 BOT. LEFT		
0006	631459	BAYONET SYSTEM PRODUCT SUPPORT		
0007	830291	MOTOR GROUP FOR DOUBLE SPIRAL	✓	
0008, 0008	211009	SPRING FOR SPIRAL POSITION		
0009, 0002	211276	SPIRAL GALV. P=26 Ø=66 16 PR. LEFT		
0009, 0002	211268	SPIRAL GALV. P=100 Ø=78 4 PR. LEFT		
0009, 0002	211274	SPIRAL GALV. P=20 Ø=66 21 PR. LEFT		
0009, 0002	211296	SPIRAL GALV. P=35 Ø=66 12 PR. LEFT		
0009, 0002	211281	SPIRAL GALV. P=80 Ø=70 5 PR. LEFT		
0009, 0002	211277	SPIRAL GALV. P=36 Ø=66 11 PR. LEFT		
0009, 0002	211309	SPIRAL GALV. P=120 Ø=70 3 PR. LEFT		
0009, 0002	211275	SPIRAL GALV. P=42 Ø=66 9 PR. LEFT		
0009, 0002	211287	SPIRAL GALV. P=64 Ø=66 6 PR. LEFT		

Pos.	Code	Description	Suggested	Price
0009, 0002	211289	SPIRAL GALV. P=54 Ø=66 7 PR. LEFT		
0009, 0002	211285	SPIRAL GALV. P=30 Ø=66 14 PR. LEFT		
0010	211278	SPIRAL GALV. P=64 Ø=66 6 PR. RIGHT		
0010	211283	SPIRAL GALV. P=26 Ø=66 16 PR. RIGHT		
0010	211308	SPIRAL GALV. P=100 Ø=78 4 PR. RIGHT		
0010	211288	SPIRAL GALV. P=54 Ø=66 7 PR. RIGHT		
0010	211284	SPIRAL GALV. P=30 Ø=66 14 PR. RIGHT		
0010	211282	SPIRAL GALV. P=20 Ø=66 21 PR. RIGHT		
0010	211292	SPIRAL GALV. P=80 Ø=70 5 PR. RIGHT		
0010	211310	SPIRAL GALV. P=120 Ø=70 3 PR. RIGHT		
0010	211280	SPIRAL GALV. P=42 Ø=66 9 PR. RIGHT		
0010	211279	SPIRAL GALV. P=36 Ø=66 11 PR. RIGHT		
0010	211295	SPIRAL GALV. P=35 Ø=66 12 PR. RIGHT		
0011	400127	BLACK SPIRAL HOOK		
0012	400138	SPRING HOLDER COUPLER (SPIRAL RIGHT)		
0013	400625	HOOK FOR SPIRAL HOLDER BLUE		

# 981735T-ACCESSORI - ACCESORIOS

---





***PARTS LIST***

<b>Pos.</b>	<b>Code</b>	<b>Description</b>	<b>Suggested</b>	<b>Price</b>
0001	855551	KIT 1 SHELF DISPLAY BAR YOUNG		
0002	855552	KIT SANDWICH/MILK TRAY S		
0003	855394	WALL FIXING BRACKETS		
0003	855395	KIT ABRAZADERAS DE FIJACION MAQUINAS		
0004	855376	KIT RS232/RS485/DEX-UCS INTERFACE		
0004	855436	KIT MASTER/SLAVE EXECUTIVE OMNIA		
0004	855566	KIT MODEM USB FOR SIM		
0005	855549	KIT MECHANICAL COUNTER YOUNG/FAST		
0006	855550	KIT COINS BOX COVER		
0007	855547	KIT INSULATING PANEL SHELF S		
0008	855540	KIT SPECIAL COINS INSERT. TMT MSP BLACK		
0010	855524	KIT BOX HEATER FAST/YOUNG 3 DEGREES		
0011	855357	KIT BOTTLES BAR UNLOADING (S)		
0013	855567	KIT SPECIAL COINS RETURN S&F MSP		